

HD-LED DOCK LIGHT

State-of-the-Art Energy Efficiency and Safety

- ▶ Optimum brightness for entire length of trailer
- ▶ Built-in heat dissipation - always cool to the touch
- ▶ "Go Green" product solution with energy rebate potential

Rugged Design

- ▶ Impact resistant, clear acrylic cover
- ▶ Meets food facility requirements for "no glass"
- ▶ Housing made of die-cast aluminum with an ABS spacer ring

Reduced Maintenance

- ▶ Eliminates light bulb replacement and/or clean-up
- ▶ Upgrade kit minimizes installation time by reusing existing arms

Specifications

- ▶ 15 watts
- ▶ Minimum life of 50,000 hours
- ▶ 5 high intensity LED emitters
- ▶ Heavy duty 38 mm square steel arms
- ▶ Safety yellow, powder coated finish
- ▶ Patented and patents pending
- ▶ Non-corrosive
- ▶ 5-year warranty



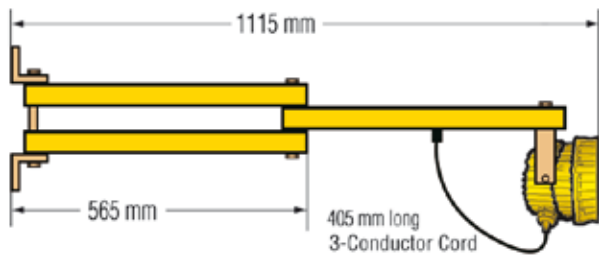
Four outer lenses provide optimal illumination for entire length of trailer.

THIS COULD BE THE
LAST DOCK LIGHT YOU WILL EVER NEED

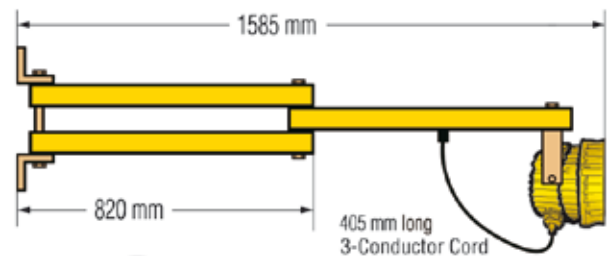
Custom engineered for the toughest loading docks



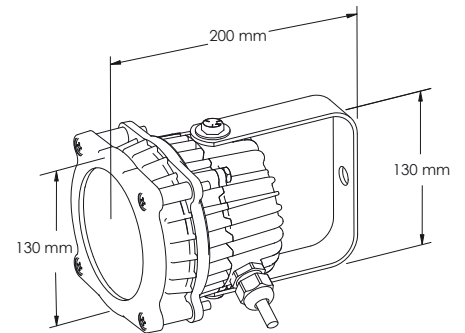
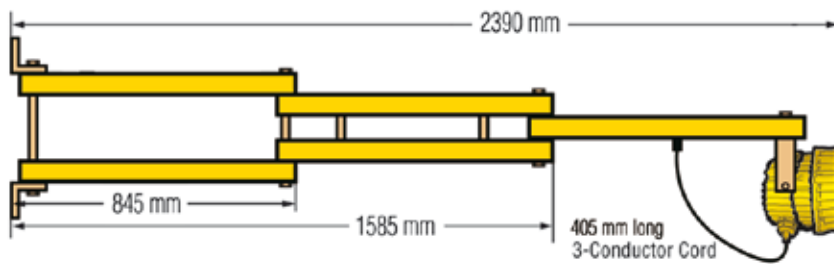
HD-LED Dock Light - 1015 mm



HD-LED Dock Light - 1525 mm



HD-LED Dock Light - 2285 mm



Incandescent 150 watt dock light



LED 15 watt dock light

Rite-Hite HD-LED 15 watt dock lights provide a brighter light into the trailer, helping create a safer work environment while using less energy.

**CAEMA®
RITE-HITE®**

CAEMA Verladestysteme GmbH
Carl-Zeiss-Strasse 3
34471 Volkmarsen
Germany
Tel. +49 (0) 5693 9870-0
Fax +49 (0) 5693 987020

www.caema-ritehite.com

C14RLDLB0609B

RITE-HITE®

Rite-Hite Corporation
8900 North Arbon Drive
Milwaukee, WI 53223
USA
Tel. +1 (414) 355 2600
Fax +1 (414) 355 9248

www.ritehite.com

**CALJAN
RITE-HITE**

Caljan Rite-Hite ApS
Ved Milepaelen 6-8
8361 Hasselager
Denmark
Tel. +45 8738 7800
Fax +45 8738 7801

www.caljanritehite.com