

Newsletter RHG 001/2015

To: All European Rite-Hite Sales- and Technic Centers

From: Sales Support Team (SST), Rite-Hite Germany

Subject: Product News and Revisions

We have started to revise the technical brochures and documents, so we want to periodically inform about technical updates.

Please have a look at the attached documents and the descriptions below.

1.) Leveller Specification Sheet G9000

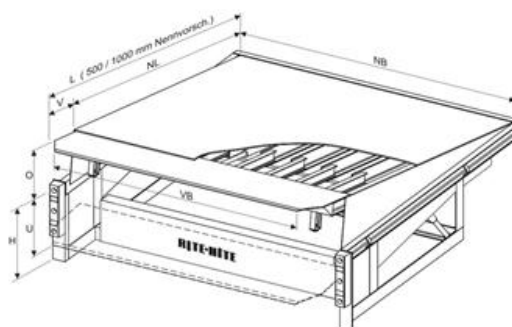
- The specification sheet was updated and has a revision number now.
- All previous specification sheets are invalid.
- The specification sheet is attached in the email.

Specification Sheet (01-2015, Rev 0)

Hydraulic Dock Leveller with telescopic Lip Type: G 9000

500 mm / 1000 mm telescopic Lip Extended

NB Nominal width
 NL Nominal length
 V Telescopic Lip Extended
 VB Telescopic Lip width
 L Total Length (NL+V)
 O Service Range Up
 U Service Range Down
 H Closed Height



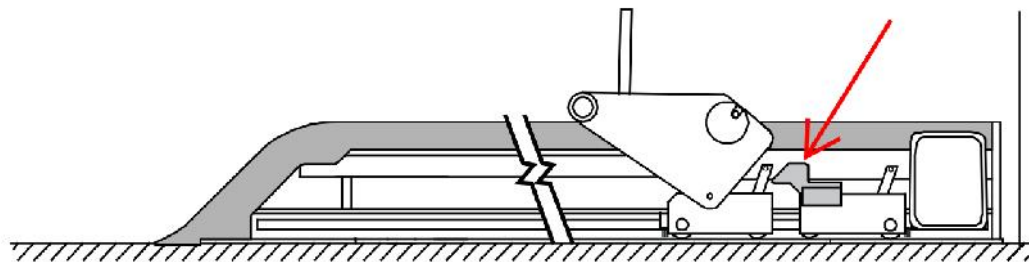
NL (mm)	V (mm)	L (mm)	O (mm)	U (mm)	H (H Iglu) ^a (mm)
2000	500/900 ^b	2500/2900	350	350	620 (720)
2500	500/1000 ^c	3000/3500	350	350	620 (720)
3000	500/1000 ^c	3500/4000	400	400	720 (820)
3500	500/1000 ^c	4000/4500	420	450	820 (900)
4000	500/1000 ^c	4500/5000	400	500	900 (900)
4500	500/1000 ^c	5000/5500	400	550	900 (900)

NB (mm)	VB (mm)	Tapered Lip (mm)
1500 ^d	1500 ^d	Option
1750 ^d	1750 ^d	Option
2000	2000 ^d	Option
2250	2000 ^d	B/T 125/190
2400	2000 ^d	B/T 200/340

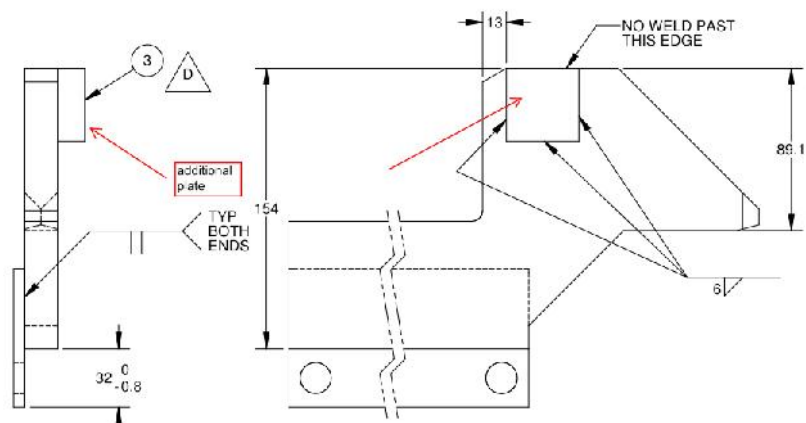
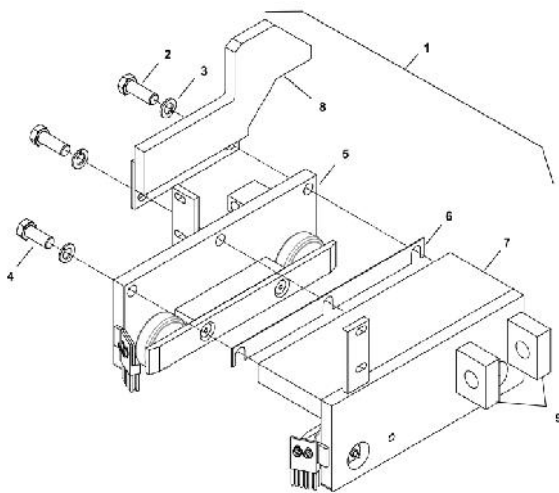
- a) Dimensions apply to 60 kN Dock Leveller with 40mm panel thickness
 b) On Request; for capacity 60kN
 c) On Request; for capacities 60/80/100kN
 d) VB=2000 is the standard Dimension for all nominal lengths (NL)
 e) Max. capacity 80kN

2.) GWL 2300

- A technical update was made to the GWL 2300 restraint.
- It is no longer possible to lock the unit without a truck tyre present.
- For maintenance and installation procedures, the two trolleys have to be separated by dismounting the four springs in between the trolleys.
- All “swan neck plates” should have an additional rectangular plate on the inside.
- You can identify the “swan neck plate” by its shape; it is bolted to the trigger trolley.
- The supplier is finishing the manual and spare part list soon.



Locked Position With Trolleys Separated



3.) Collapsible Shelter G5000

- Unfortunately, the G5000 shelters will only be stocked in the following dimensions:

a.) Width: 3300mm / Height: 3600mm / Projection: 600mm / Head Curtain: 1000mm long / Front curtain(s): 600mm wide (5000.01.00 "old")

b.) Width: 3500mm / Height: 3600mm / Projection: 600mm / Head Curtain: 1000mm long / Front curtain(s): 700mm wide (5000.02.00 "old")

